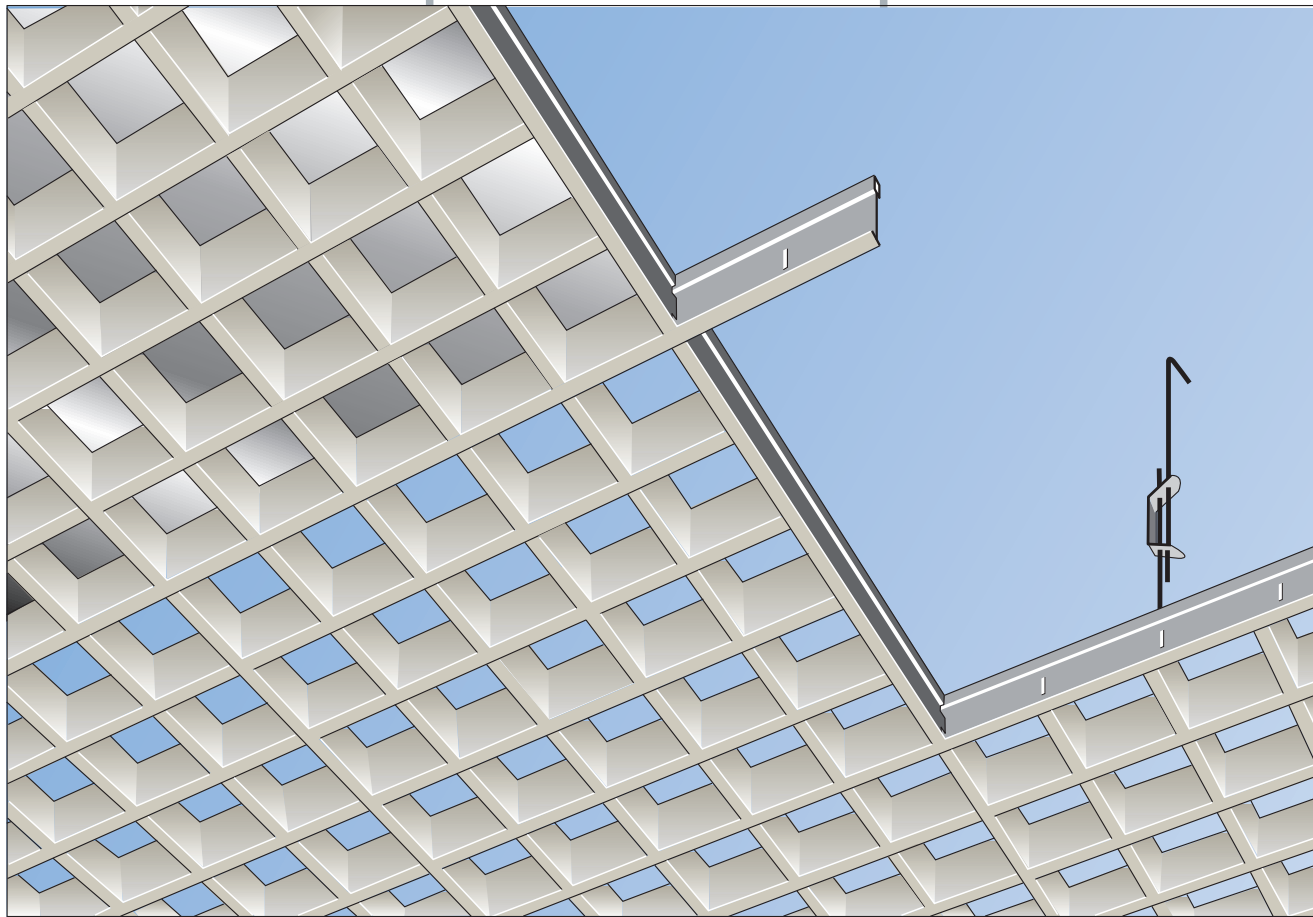
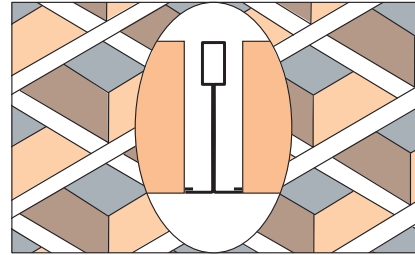




NordProfil

Gridal 15 Gridal 24

LAY IN METAL OPEN CELL
CEILING RANGE



**Nord Profil Deutschland
GmbH & Co. KG**

Meteler Stiege 51-57
48565 Steinfurt
Germany
Tel.: (+49)-2551 864 600
Fax: (+49)-2551 864 6020
E-mail: info@nordprofil.com
Internet: www.nordprofil.com

1i

Intersected 15mm (Gridal 15) or 24mm (Gridal 24) wide cell blades and boundary wall angle made from folded 0.4/0.5mm thick aluminium or 0.3mm thick zinc coated mild steel.

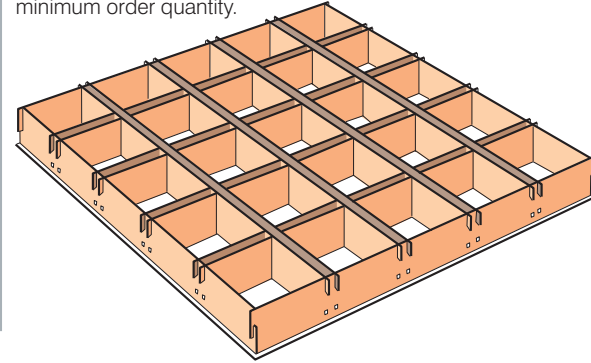
Standard finish: stove enamel polyester paint in matt, semi-gloss or full gloss (see colour chart).

Colours: standard as colour chart no's.
137 white
901 white (RAL 9010)
18 silver metallic (RAL 9006 approx.)
117 clear lack (alum.only)

Special finishes: subject to minimum order quantity.

Standard sizes: 585 x 585mm (Gridal 15) or 576mm x 576mm (Gridal 24) x 37mm deep supplied pre-assembled or as packaged loose blades.

Standard cell sizes: shown in Table 1.



1ii

Optional 0.3mm thick zinc coated mild steel backing plate solid or perforated face stove enamel black finish on underside. Perforated plates to have black tissue lining bonded to their rear surface.

Sizes: as 1.

2i

Note: 2i, 2ii, 2iii are all cold rolled tee sections manufactured from 0.38mm thick hot dipped galvanised mild steel of commercial prime quality, hem capped with 0.3mm thick predecorated steel.

Note : 2i only.

Stalk cutouts and bulb slots (for hangers) centres 125mm.

Standard finish: as 1

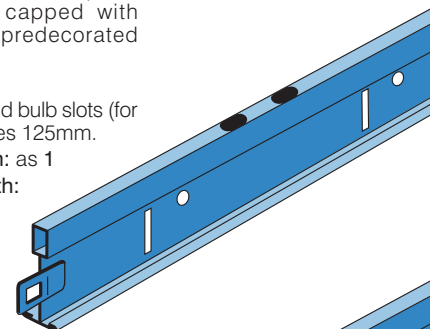
Standard length: 3600mm

Overall size:

15mm or

24mm wide x

37mm deep.



2ii

Note : 2ii only.

Central cutout in stalk.

Standard finish: as 1

Standard length:

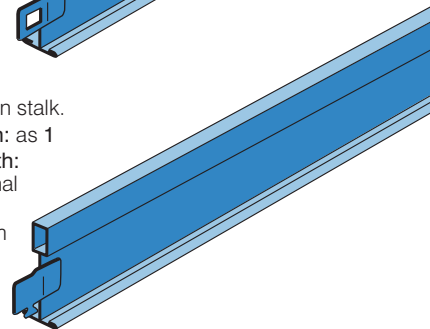
1200mm nominal

Overall size:

15mm or 24mm

wide x 37mm

deep



2iii

Standard finish: as 1

Standard length: nominal

600mm

Overall size: 15mm or 24mm

wide x 37mm deep

3



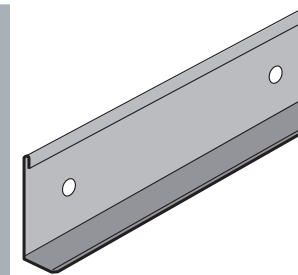
Butterfly suspension key hanger with 4mm dia. steel hook rod and 4mm dia. cranked rod.

Standard lengths: various between 125mm min. and 1000mm max. ceiling void depths.

4

Reference number allocation to a component is based on its function in the ceiling system. No Gridal 15 or Gridal 24 component suits 4 classification.

5i



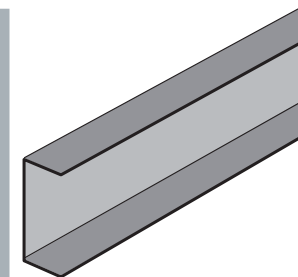
Perimeter angle trim in cold roll formed 0.7mm thick aluminium.

Standard finish: stove enamel polyester paint to match Gridal 15 or Gridal 24 panels applied to all surfaces.

Standard length: 4000mm

Overall size: 40mm deep x 20mm wide.

5ii



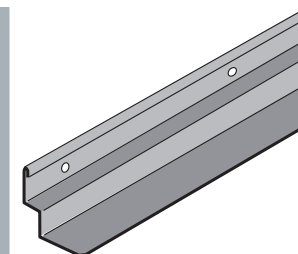
Floating edge perimeter capping channel in press braked 0.4/0.5mm thick aluminium or steel 0.3mm thick.

Standard finish: stove enamel polyester paint to match Gridal 15 or Gridal 24 panels applied to all surfaces.

Standard length: 1800mm

Overall size: depth 40mm with 2 no's legs 15mm or 24mm wide.

6



Perimeter shadow line angle trim in cold roll formed 0.7mm thick aluminium.

Standard finish: stove enamel polyester paint to match Gridal 15 or Gridal 24.

Standard length: 4000mm.

Overall size: 44mm deep x 36.5mm wide.

Shadow gap width: 12.5mm.

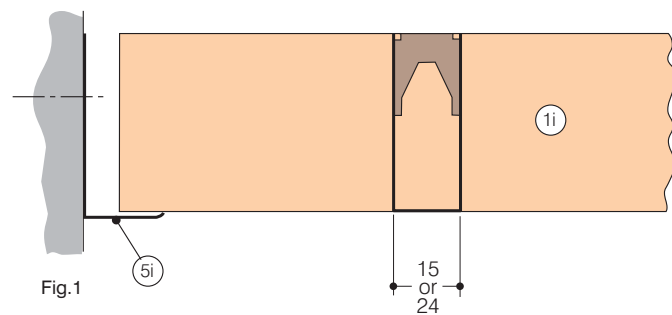


Fig.1

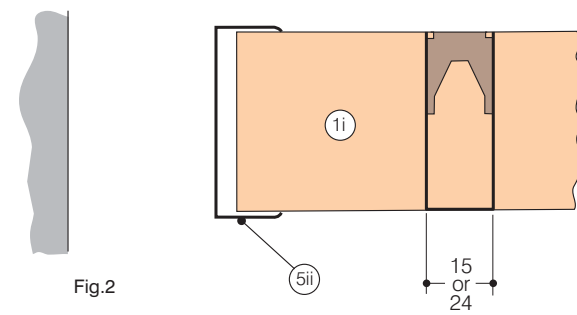


Fig.2

Suspended from the structural soffit by adjustable hangers (3), main runner tees (2i) are accurately positioned, aligned and levelled at 1200mm centres. For ease of linking the tee ends are extended to act as an interlocking splice. For fast fit assembly their stalks contain cutouts into which the ends of lateral tees (2ii) are mechanically locked at 600mm centres.

A 600 x 600mm grid module is formed by locking the ends of cross tees (2iii) into central cutouts in the lateral tee stalks.

Laid onto the tee grid Gridal 15 and Gridal 24 panel seating lips must make full contact with the table of the tees.

The minimum void clearance required to install Gridal 15 and Gridal 24 panels is 150mm.

Either of the perimeter angles (5i) Fig.1 and (6) Fig.3 can be used to cloak Gridal 15 and Gridal 24 cut components at (continued below)

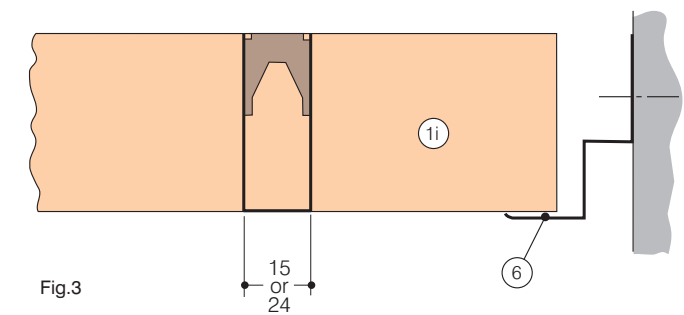


Fig.3

Gridal 15 and Gridal 24 are part of a product group of metal open cell ceiling systems, principally of square cell formation, all marketed under the Gridal label. They are differentiated, however, from other Gridal products, by panel and suspension grid integration features which they share with a sister product, CELTICA.

CELTICA provides tartan pattern open cell ceilings and is described on information sheet 4.07.

Demonstrably quick and easy to install, and conversely to remove, Gridal 15 and Gridal 24 multi cell 'lay in' panels (1i) Fig 6 combine with 15mm and 24mm table suspension tee grids respectively (2i), (2ii) and (2iii) Fig.4 to create open cell interior ceilings.

With fully integrated and colour matched elements, the combination ensures an uninterrupted cellular effect, and dictates a standard panel size of 585mm x 585mm (Gridal 15) and 576mm x 576mm (Gridal 24) with cell wall widths of 15mm and 24mm respectively, plus a standard cell wall height of 37mm, all compatible with a 600 x 600mm basic tee grid module.

Importantly, continuous outer seating lips form part of the panels' thin wall enclosure at their boundaries. These are set back from the panel face so that when placed on the tee table, panel face and tee face are flush fitting, Fig.5.

The panel cell walls comprise intersecting 'U' shaped blades of folded light gauge aluminium or mild steel. The blade spacing can be varied to provide a range of cell sizes as Table 1.

The panels are assembled at works, or, for ease of transportation, can also be assembled on site from packaged loose blades.

Available in standard stove enamel white finish, the panels can be supplied in special finishes subject to minimum order quantity.

Optional solid or perforated face backing plates (1ii) Fig.4, can be fitted at works to the rear of the panels should building environment controls necessitate them.

Gridal 15 and Gridal 24 are suited to installation in a multiple number of building types and can be integrated with air conditioning, communications and sprinkler systems, plus smoke extraction systems where extensive open ceiling areas are required.

Fluorescent lighting fittings and spotlights are featured in section 6 of our technical manual. Please note that certificated performance data are in section 8 and typical specification layout is on 4.21/3.

Other Gridal products are described on information sheets 4.01, 4.01/1, 4.02, 4.05, 4.06, 4.07, 4.50.

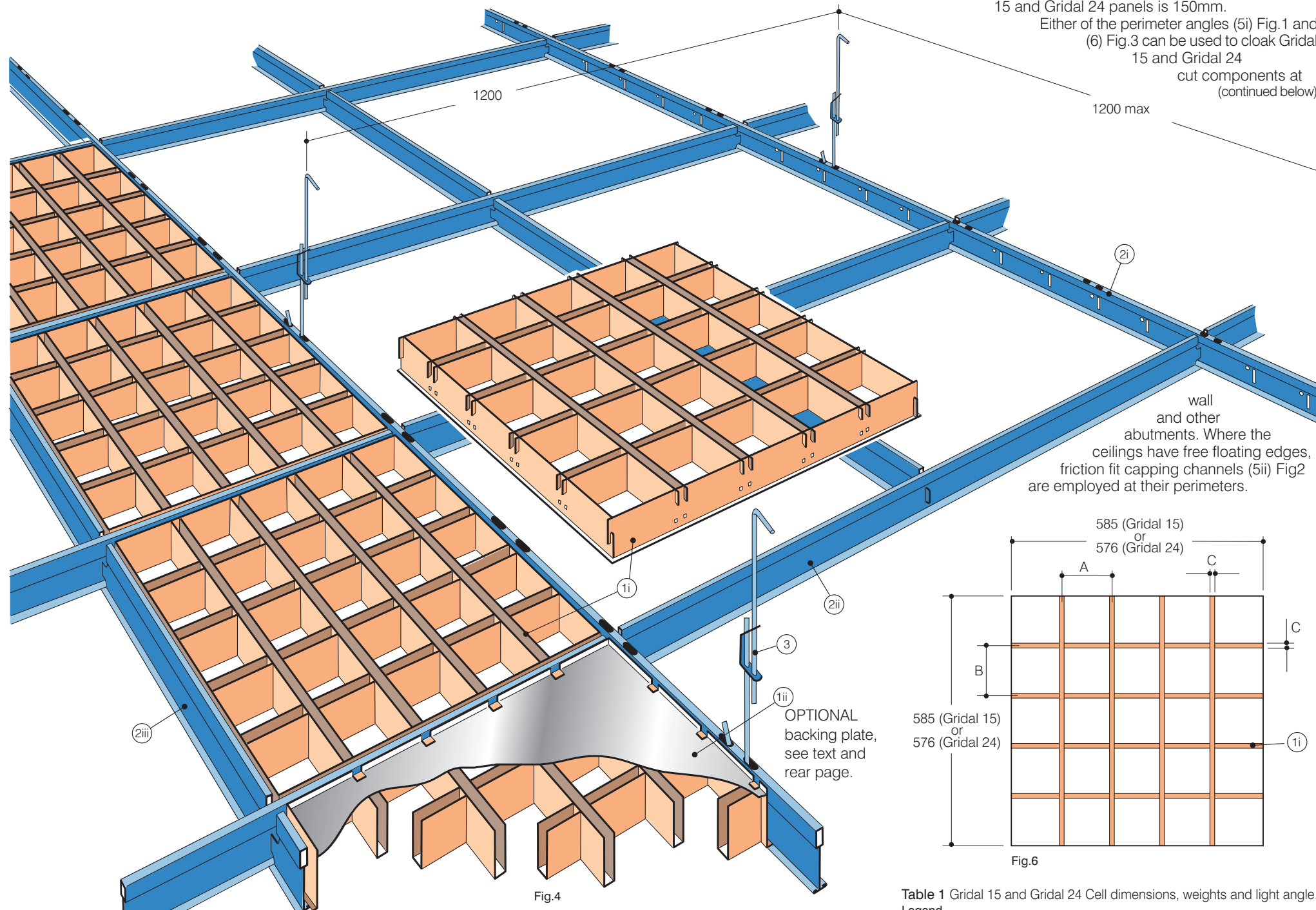


Fig.4

wall and other abutments. Where the ceilings have free floating edges, friction fit capping channels (5ii) Fig2 are employed at their perimeters.

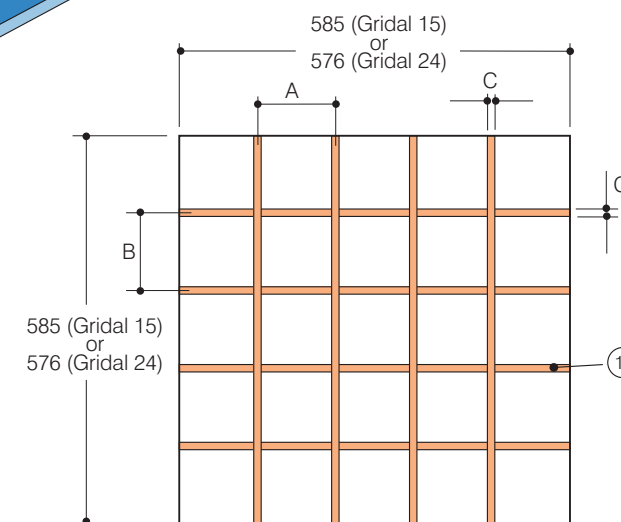


Fig.6

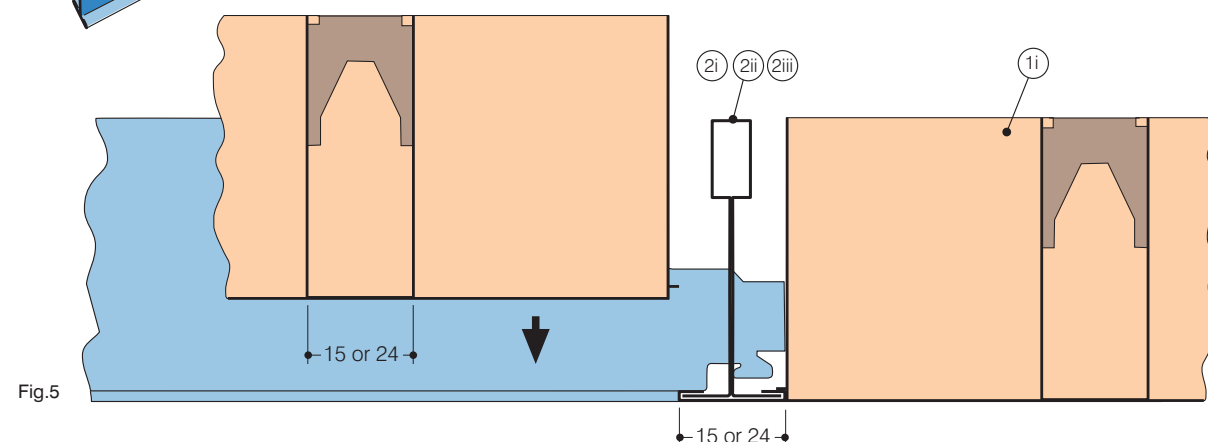


Fig.5

Table 1 Gridal 15 and Gridal 24 Cell dimensions, weights and light angle.

Legend
 A Cell dimension as Fig.6 in mm. Wa Ceiling weight (alu. 0.4mm) kg/m²
 B Cell dimension as Fig.6 in mm. Ws Ceiling weight (stl. 0.3mm) kg/m²
 C Cell blade width as Fig.6 in mm L Light angle °

A	B	L		Wa	Ws
		C = 15	C = 24		
50	50	46	54	4.00	8.40
60	60	39	45	3.30	7.00
75	75	31	35	2.60	5.60
86	86	27	30	2.30	4.90
100	100	23	25	2.00	4.20
120	120	19	21	1.70	3.50
150	150	15	16	1.30	2.80
200	200	11	11	1.00	2.10
300	300	7	7	0.70	1.40

Notes: above weights exclude weights of tee grid = 1.2kg/m²
 above weights exclude weight of 0.3mm steel backing plates = 2.4kg/m²

Gridal 15 Gridal 24